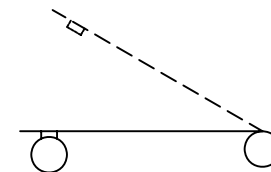
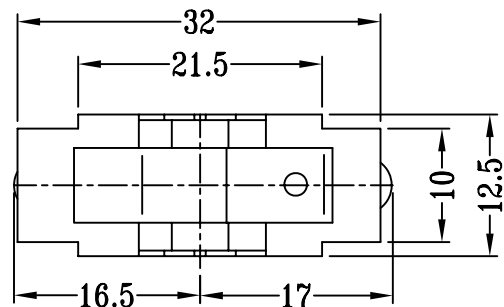
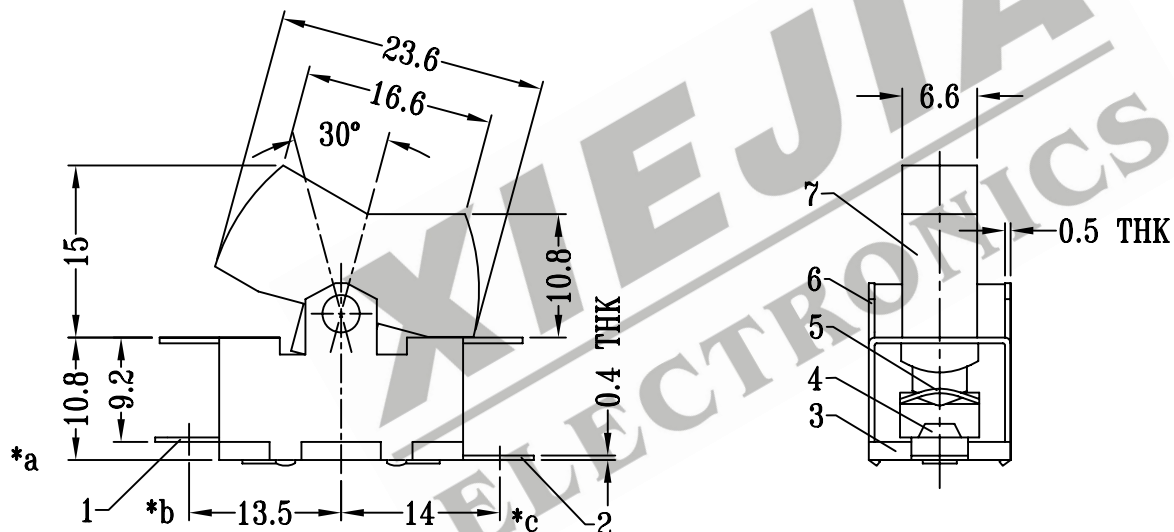


CAD FILE:



**SCHEMATIC**



注:带“\*”表示关键尺寸(3个)

9	STEEL BALL	STEEL	1	NATURAL	TOLERANCE UNLESS SPECIFIED	SHENZHEN XIEJIA ELECTRONICS CO.,LTD.					
8	SPRING	STEEL WIRE	1	TEMPER							
7	KNOB	PC	1	BLACK	WITHIN: 1.5±0.1mm OVER : 1.5±0.2mm	ISSUE	DATE	DESCRIPTIONS		APPD.	
6	FRAME	STEEL STRIP	1	Zn PLATED							
5	CONTACT B	BRASS STRIP	1	Ag PLATED	TITLE : ROCKER SWITCH						
4	CONTACT A	COPPER	2	Ag PLATED							
3	TERMINAL BASE	PHENOLIC RESIN	1	BLACK	UNIT : MM		DRWG NO.: XJ-DR-RS1132-00				
2	TERMINAL B	BRASS STRIP	1	Ag PLATED OVER Ni PLATED							
1	TERMINAL A	BRASS STRIP	1	Ag PLATED OVER Ni PLATED	MODEL: RS-1132		SCALE: 3:2		DWN.	ZHOUYU	2004-11-30
NO.	PART NAME	MATERIAL	Q'TY	FINISHING					ALL MATERIALS MUST BE COMPLIANT TO ROHS		CHK'D
							APPD.	KANGXINAN			2004-11-30